

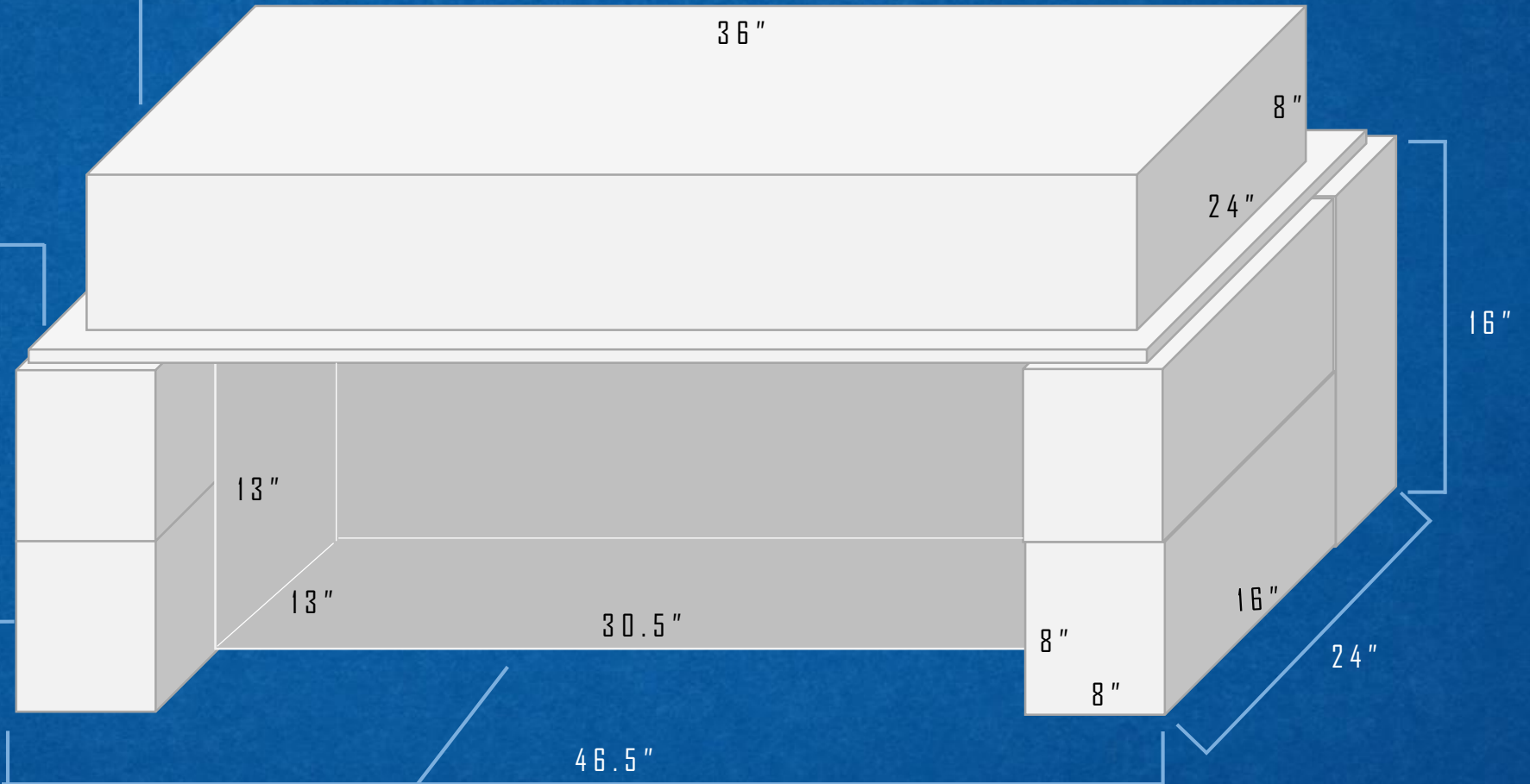
# AQUAPONICS SYSTEM

MIXING TUB

3/4" PLYWOOD

CONCRETE BLOCKS

FISH TANK



# MATERIALS LIST

20 GALLON FISH TANK

20 GALLON MIXING TUB

SUBMERSIBLE WATER PUMP

40L EXPANDED CLAY PEBBLES

4 CONCRETE BLOCKS

1/2" ID TUBE

1.0" + 1.5" + 2.0" PVC PIPES

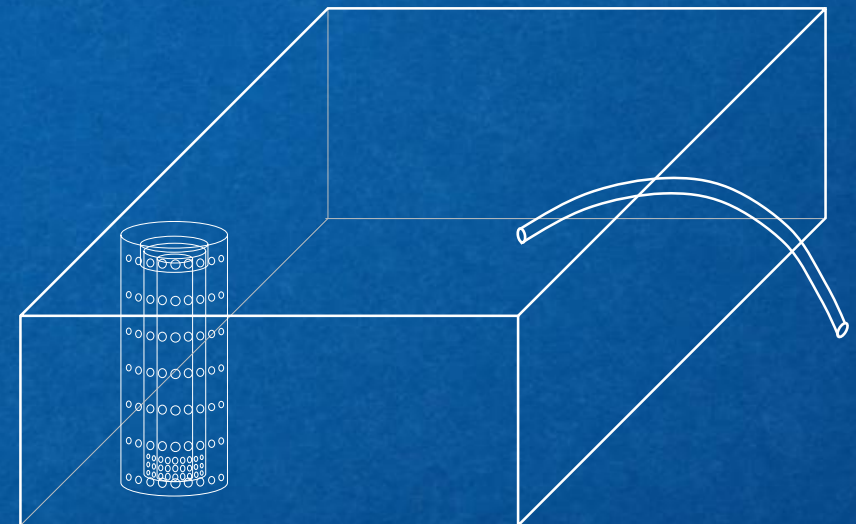
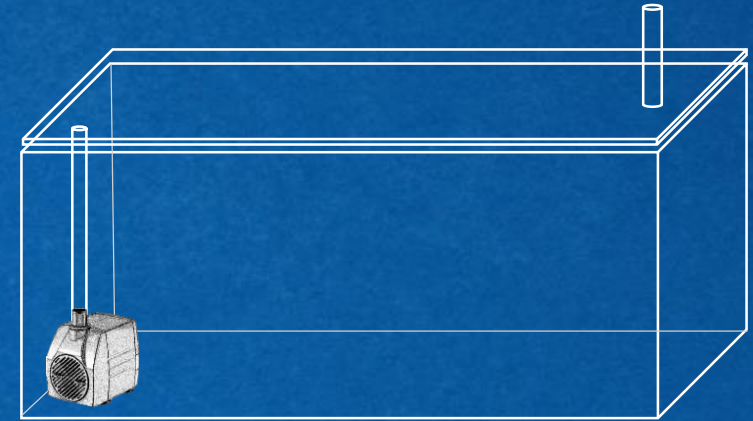
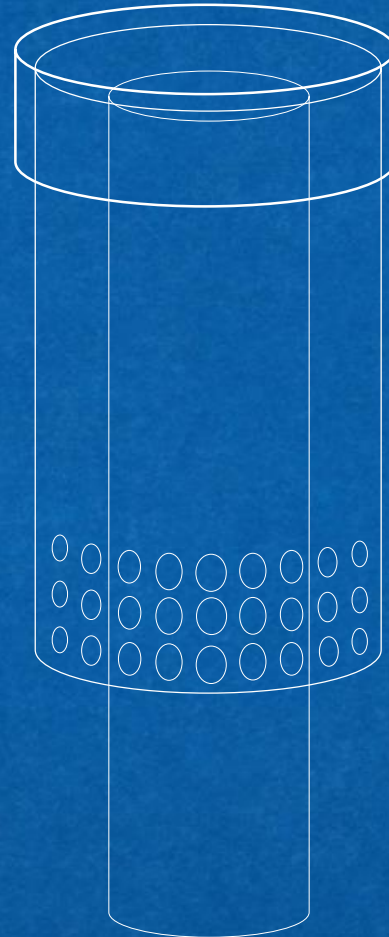
1.5" PVC PIPE CAP

PLYWOOD

DRILL

GLUE (OPTIONAL)

TOOL TO MAKE 1" WIDE HOLE



# FISH TANK

1.0" PVC PIPE FROM BELL SIPHON

PLYWOOD

1/2" ID TUBE

WATER PUMP

20 GALLON FISH TANK



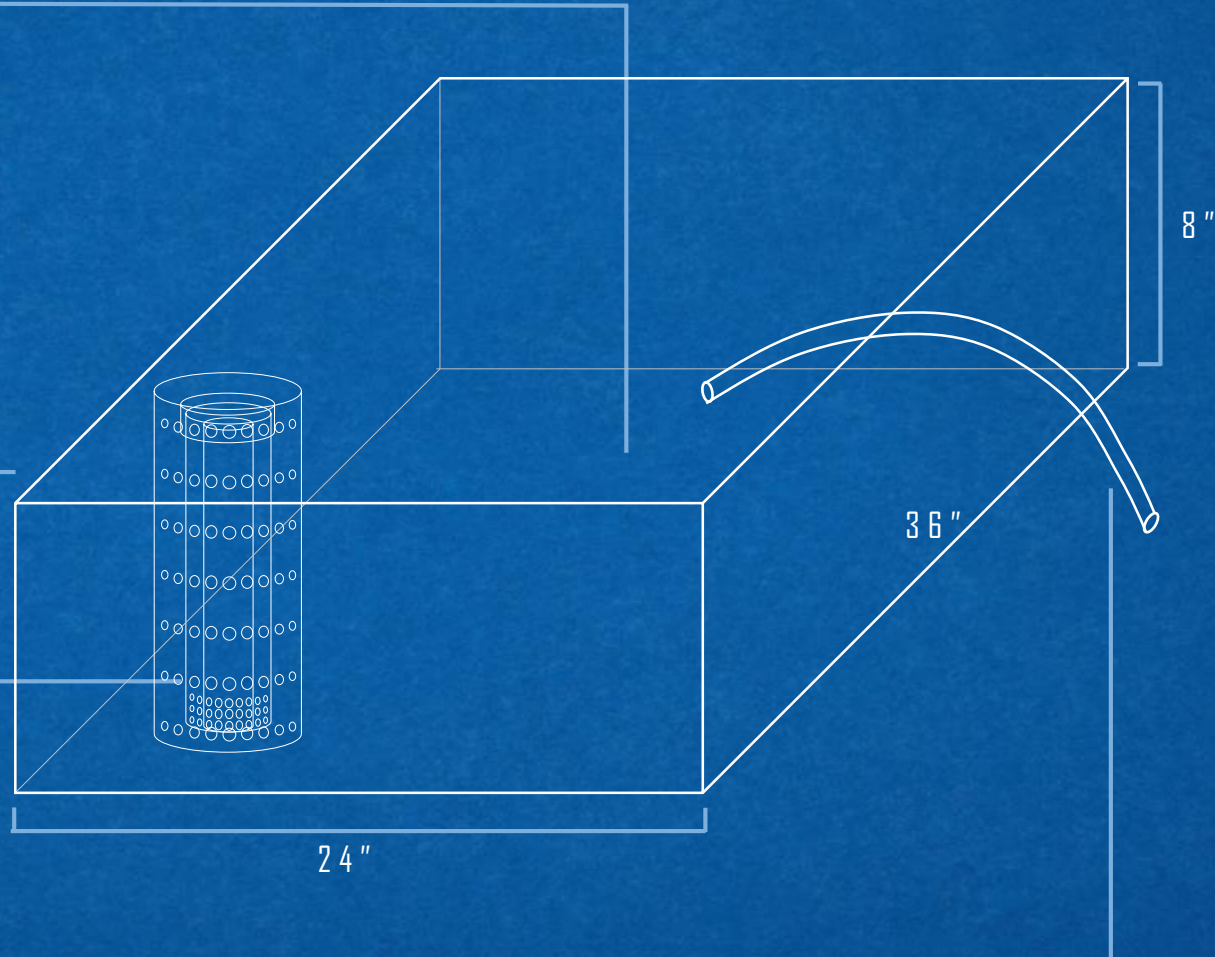
# GROW BED

FILLED WITH 40L OF EXPANDED CLAY PELLETS

20 GALLON MIXING TUB

BELL SIPHON WITH MEDIA GUARD

1/2" ID TUBE FROM WATER PUMP



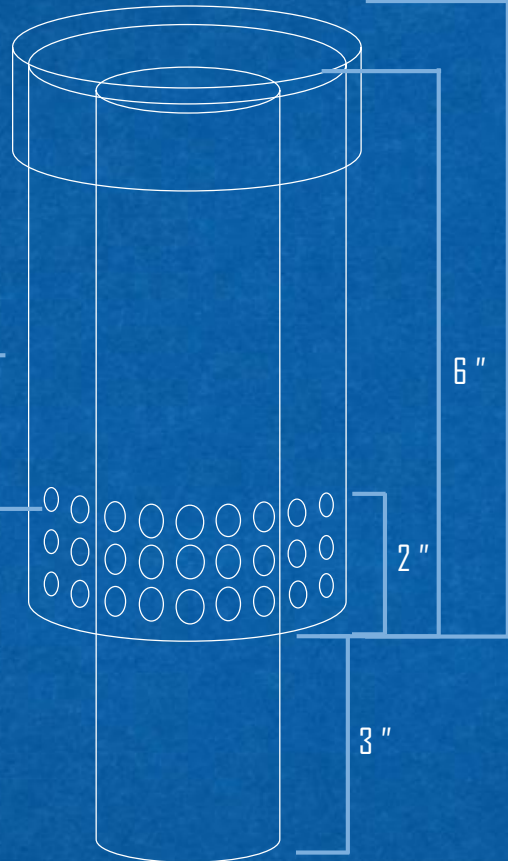
# AUTO BELL SIPHON

1.5" PVC PIPE CAP

1.5" PVC PIPE

DRILLED HOLES

1" PVC PIPE



6.5"

6"

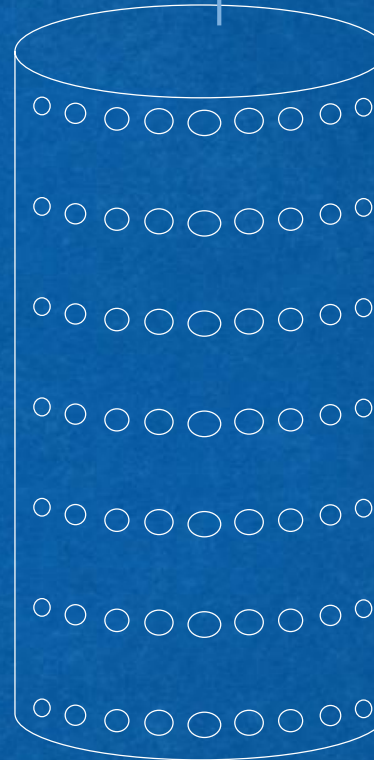
2"

3"

7.5"

2" PVC PIPE

DRILLED HOLES



# MEDIA GUARD