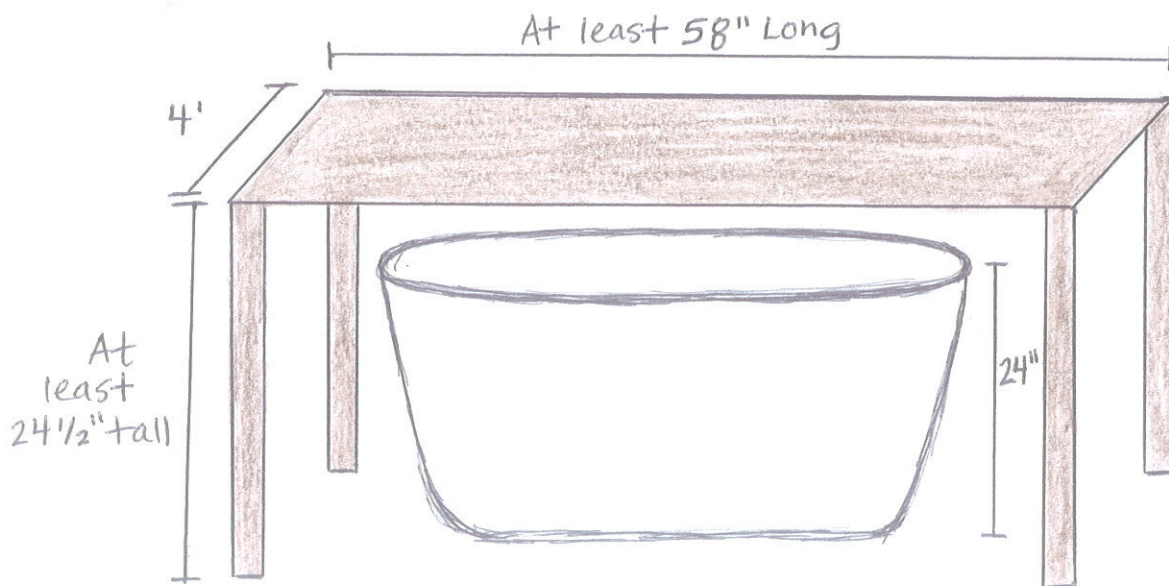
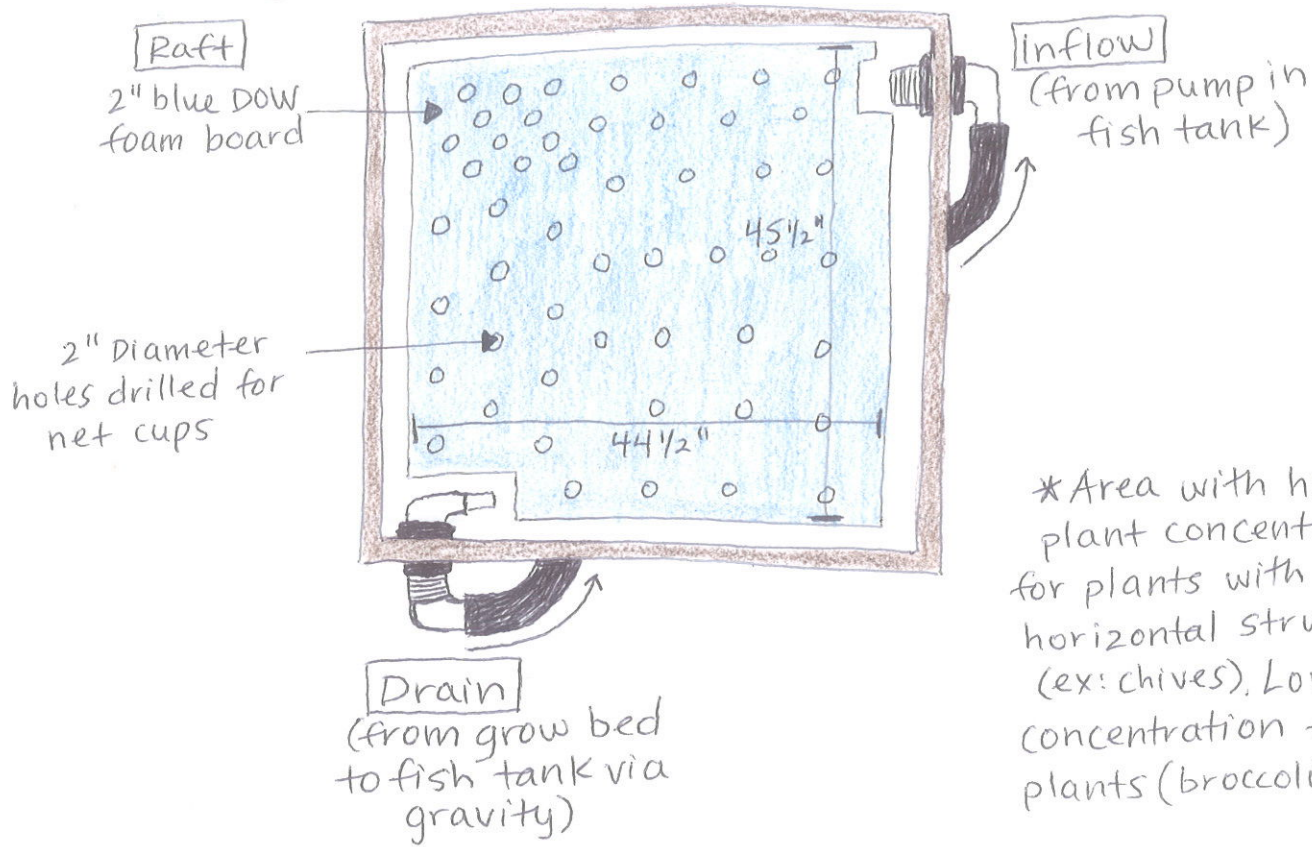
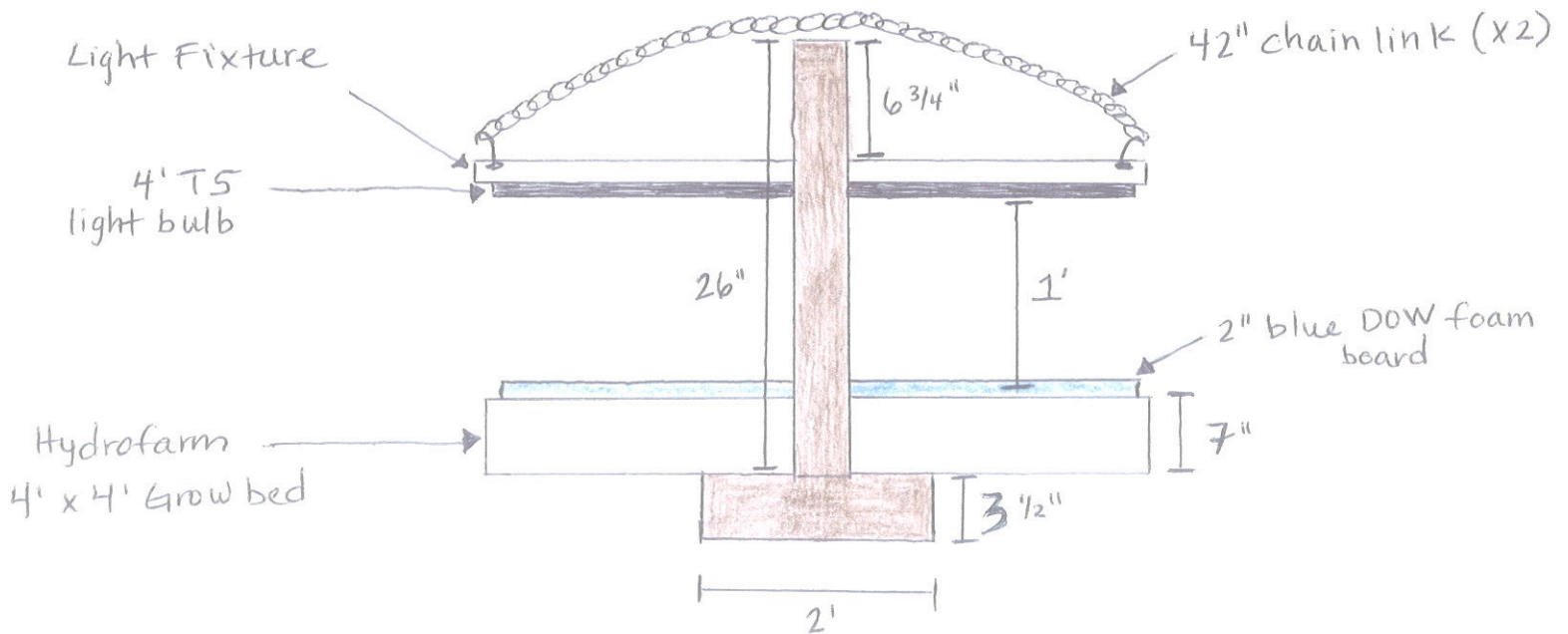


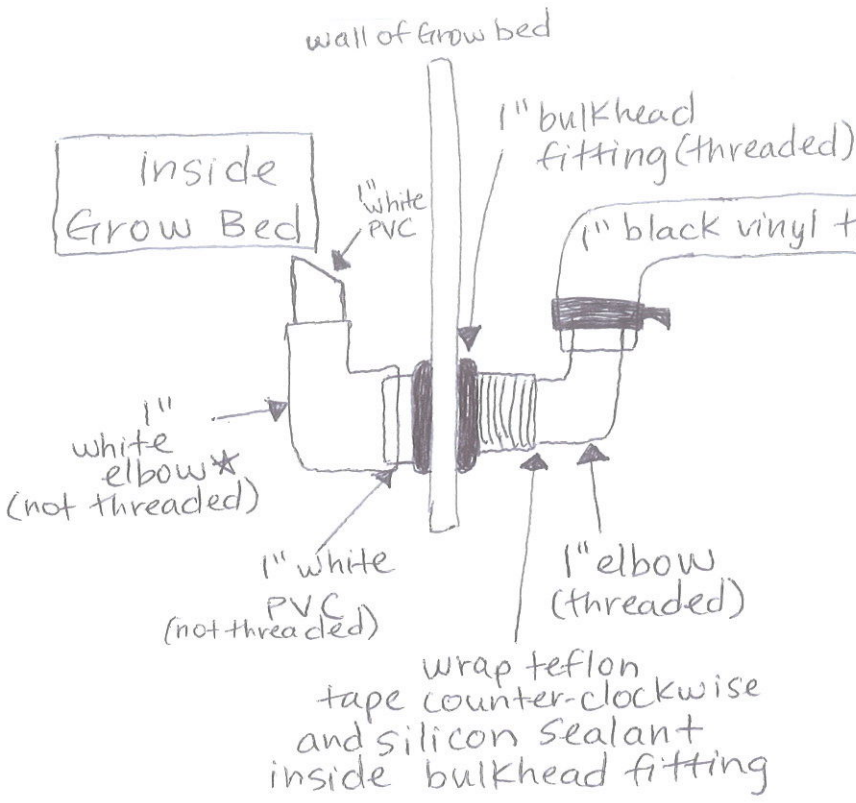
Attach lights to fixture using brackets that come in package with light.





*Area with higher plant concentration for plants with little horizontal structure (ex: chives), Lower plant concentration for larger plants (broccoli, lettuce, etc.)

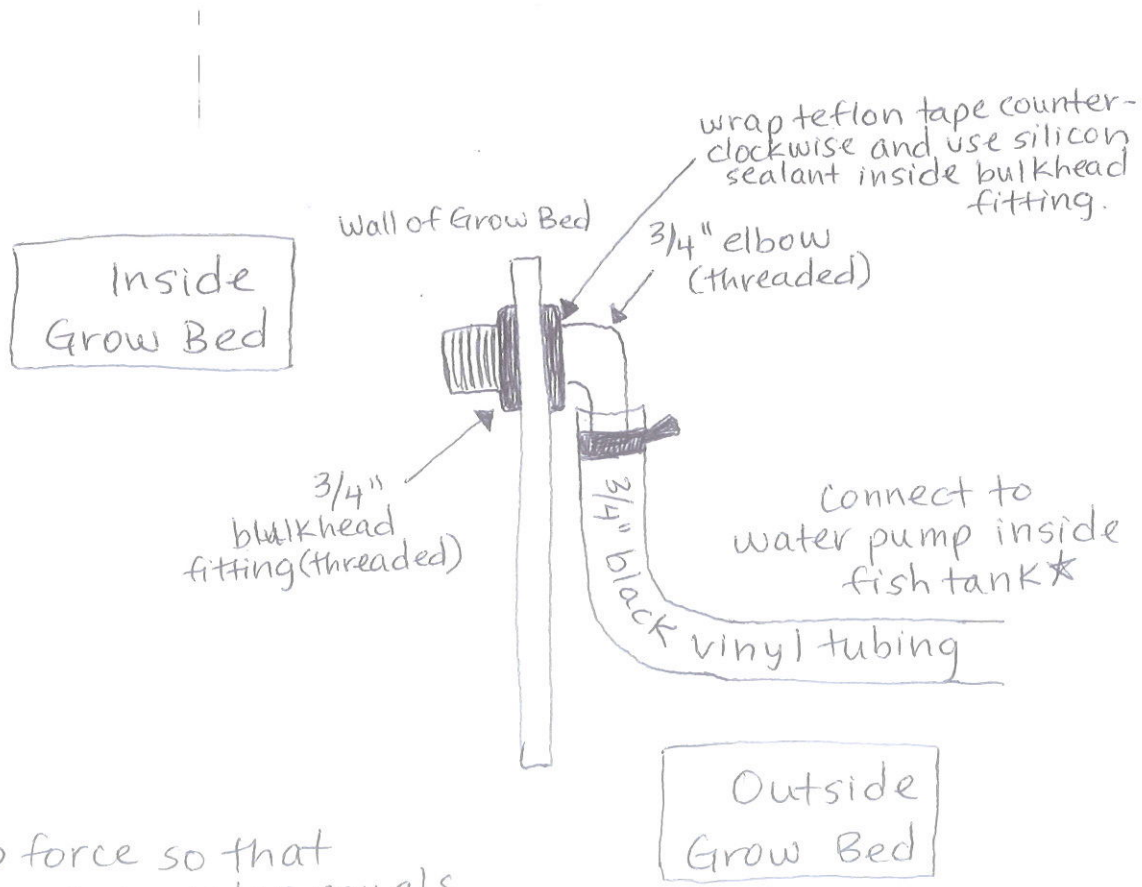




* Elbow joint inside grow bed is adjustable to achieve desired water height inside grow bed

Place inside top of fish tank for water to drain from grow bed

Outside Grow Bed



* Adjust pump force so that the rate of incoming water equals the rate it is leaving through the drain.

Outside Grow Bed

